

NOVECENTO

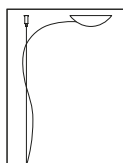
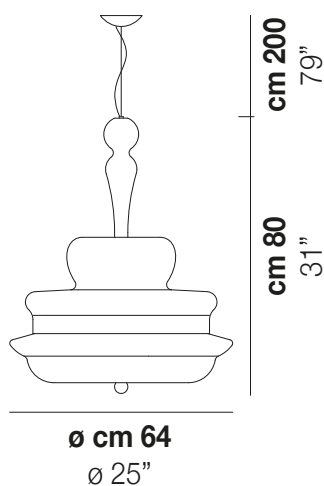
Design Romani Saccani Architetti Associati

NOVECENTO SP G



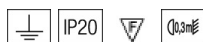
History under a new light. The whole Novecento collection was born from the desire to reinterpret the traditional Murano chandelier. To find the perfect synthesis, the designers Romani and Saccani started from the profile: they designed crystal shells produced by the 360° rotation of the historic silhouette. The choice of the crystal or white Rigadin glass finish was the master's touch: its radial stripes evoke the arms of the historic candlestick while maintaining a contemporary flavour. It is available in the following versions: suspension, ceiling lamp, table lamp and floor lamp.





NOVECENTO SP G

TECHNICAL DATA:



CERTIFICATIONS:



LIGHT SOURCES

5x60w 220-240 V
50/60 Hz E14

VOLUME Mc 0,54
GROSS WEIGHT Kg 25
NET WEIGHT Kg 17

download



SHADE FINISHING



BCRI

CRRI

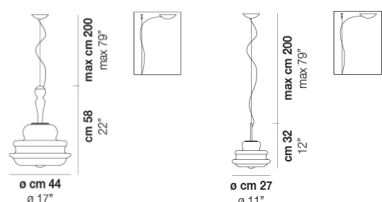
FRAME FINISHING



CR

OTHER VERSION AVAILABLE

Click on the version to go to the web version of the product



NOVEC SP M

NOVEC SP P