

PRODUCT INFORMATION MODEL 2419 GINKO

© 2014 KURT BEIER & KATI QUINGER



Infinitely adjustable seat depth
by motorised traverse



Motorised elements
with comfort back cushion



Traverse, matt black
powder-coated

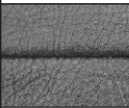
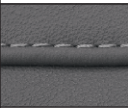
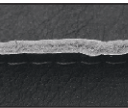

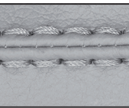

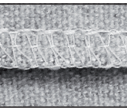
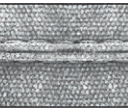


GINKO: THE MASTERPIECE - DESIGN IN TIME

A COMBINATION OF AESTHETICS, COMFORT AND FUNCTION! AN ENSEMBLE OF CREATIVE EXPRESSION AND THE VALUE OF INDIVIDUAL USE! EACH ELEMENT IS UNIQUE. THE ADJUSTABLE SEAT DEPTH ENABLES AN INDIVIDUAL SITTING OR RECLINING POSITION. THE DESIGN AND CONSTRUCTION ARE REGISTERED AS A UTILITY MODEL AS WELL AS A DESIGN PATENT. UNIQUE PIECE PRODUCTION!



Feet: angular steel feet, black matt fine structure powder coated / **Height:** 18 cm / **Floor distance:** 7 cm
Traverse: black matt fine structure powder coated

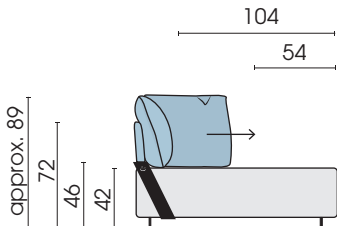
Processing options of main seam / decorative seam

	Plain seam	Lap seam	Raw edged	Moccasin seam extra charge	Twin seam extra charge	KR* (zipper piping) extra charge	Overcast seam extra charge	Piping	Two needle seam	Square seam extra charge
										
Fabric	x									
Leather	x									
Fake fur	x									

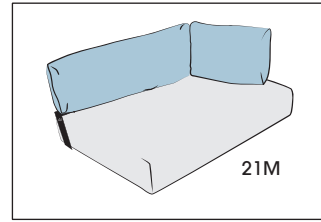
It is possible to order main seam or decorative seam either tone in tone like the colours of cover or in the contrasting colours white, nature, grey, rust and black. On request special colours possible.

***Zipper piping:** optionally in the colours black, red, nature or light grey.

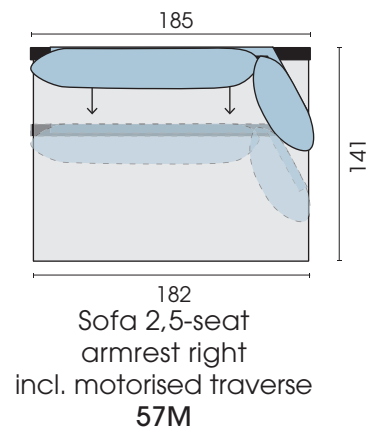
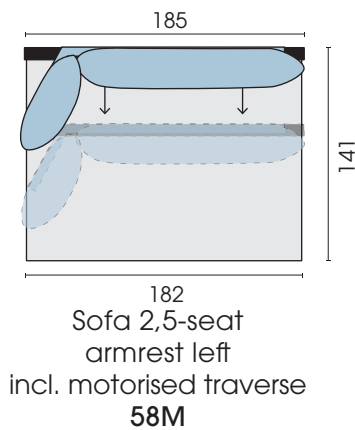
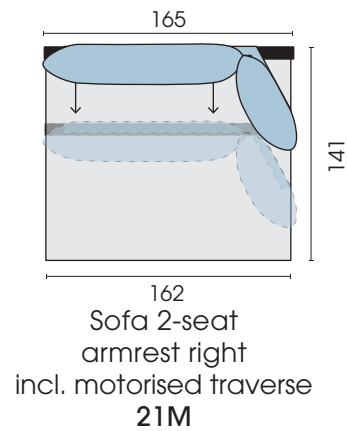
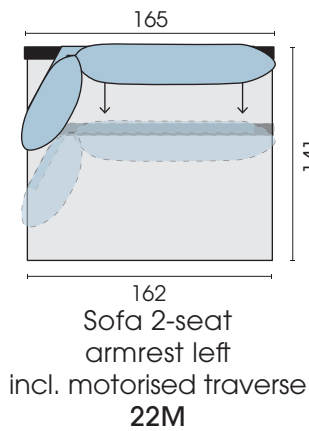
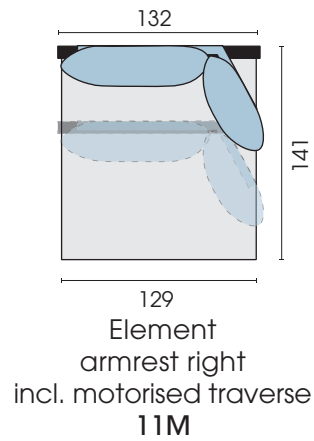
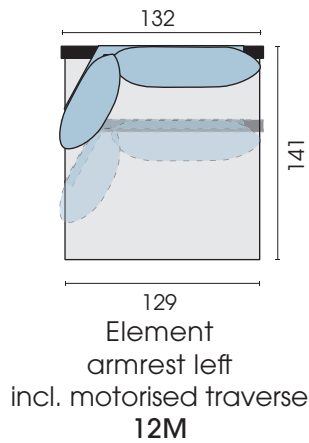




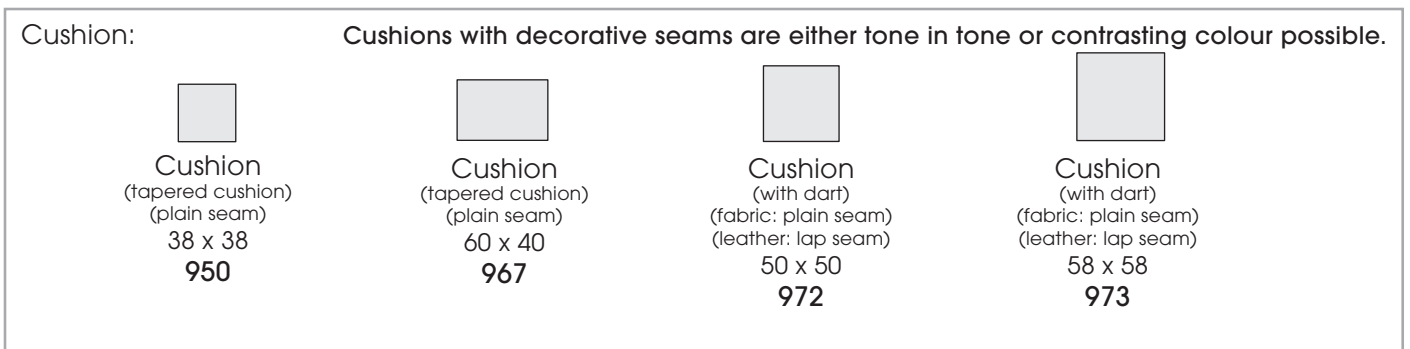
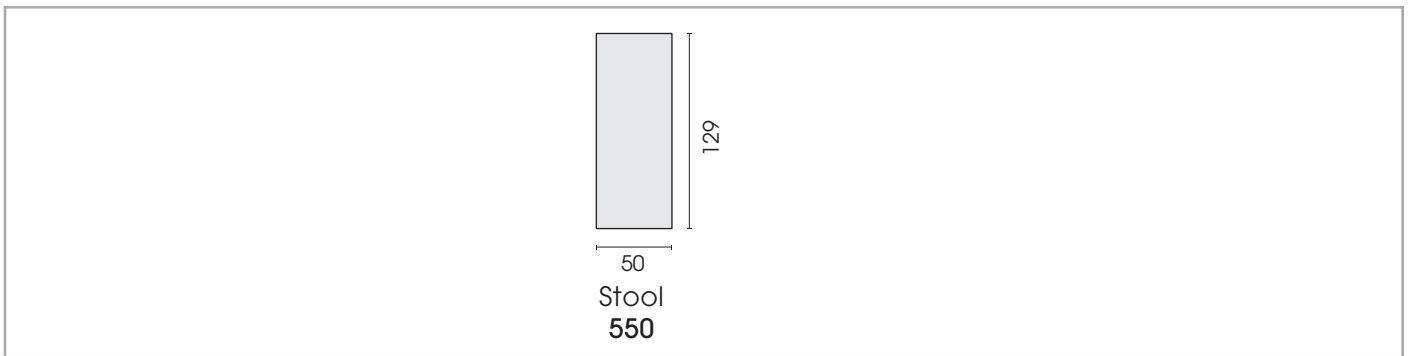
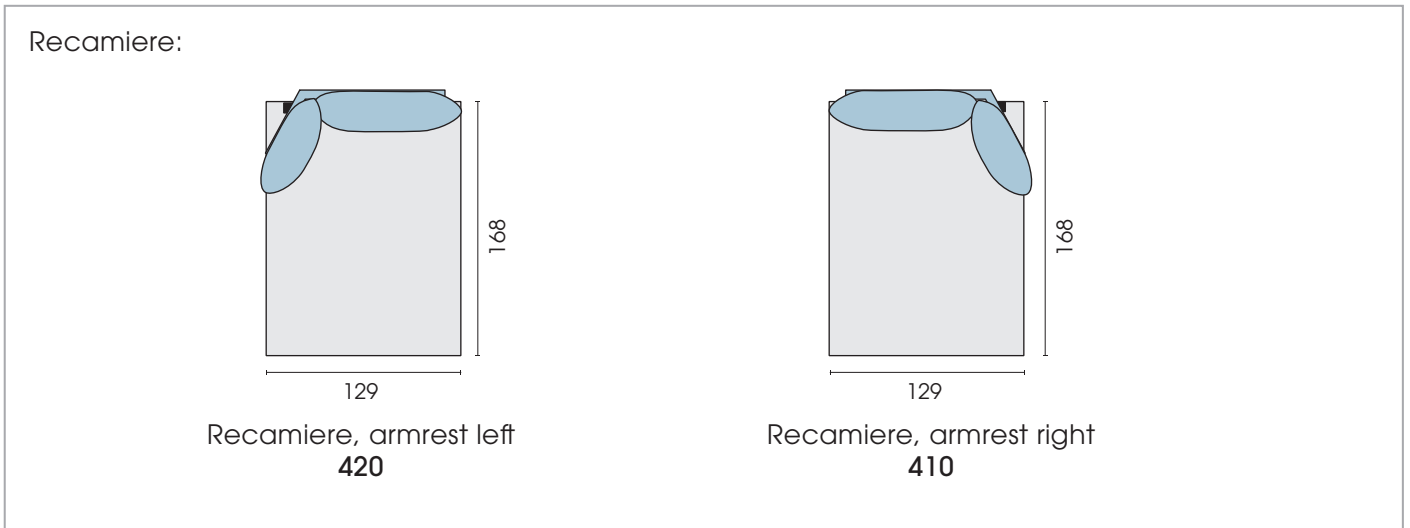
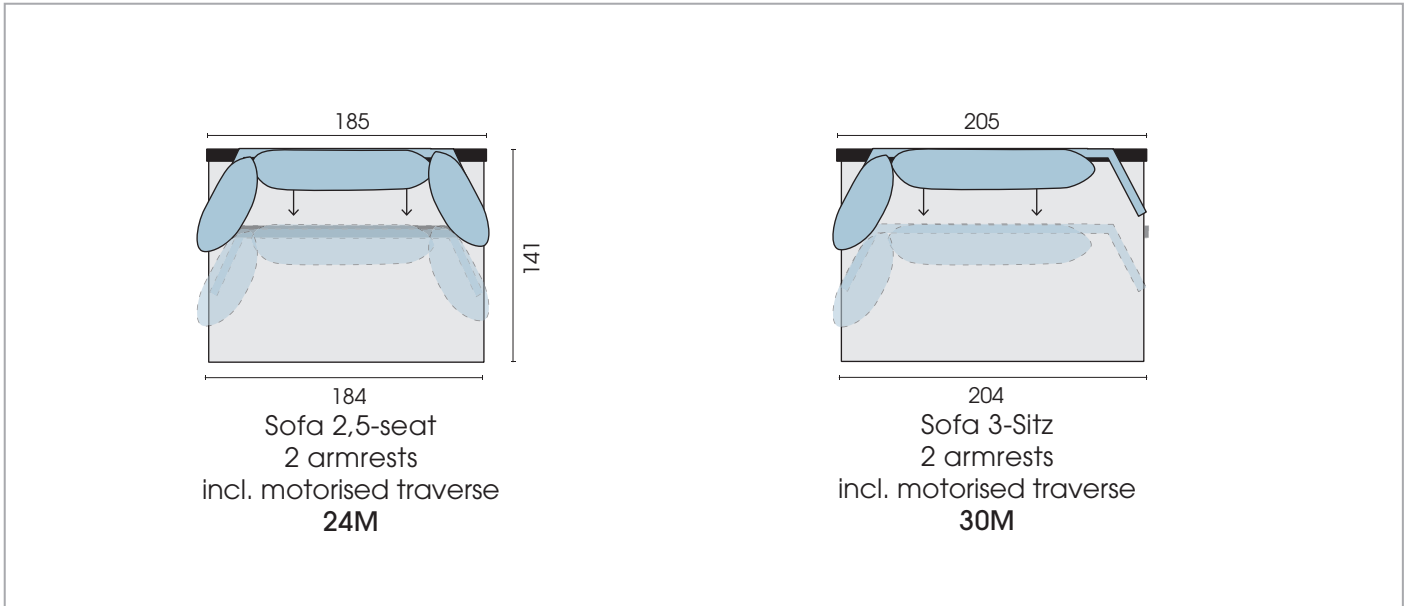
Side view (type 21M)



02.12.2024



Each piece of furniture is handmade and unique. Deviations to the listed measurements may be caused by:
 1. different upholstery materials (fabric, leather), 2. processing of ticking mats, 3. the pressure to combine individual parts, etc.
 The seat comfort of a sofa type with larger seat depth usually differs from one with lower depth.

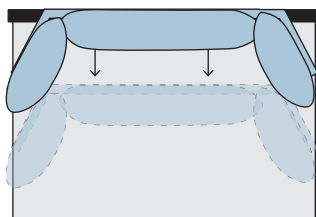


Each piece of furniture is handmade and unique. Deviations to the listed measurements may be caused by:
1. different upholstery materials (fabric, leather), 2. processing of ticking mats, 3. the pressure to combine individual parts, etc.
The seat comfort of a sofa type with larger seat depth usually differs from one with lower depth.

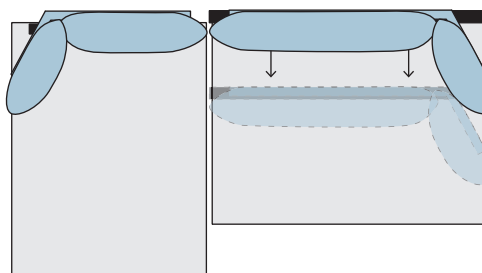
Combinations:



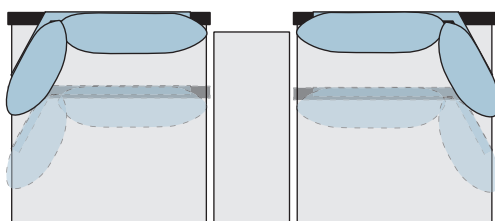
Attention! For safety reasons (risk of jamming), two motorised movable elements may only be assembled with the stool type 550 between the sofa elements.
No liability can be accepted for movable elements placed directly next to each other.



- Type 30M



- Type 420
- Type 57M



- Type 12M
- Type 550
- Type 11M

Each piece of furniture is handmade and unique. Deviations to the listed measurements may be caused by:
1. different upholstery materials (fabric, leather), 2. processing of ticking mats, 3. the pressure to combine individual parts, etc.
The seat comfort of a sofa type with larger seat depth usually differs from one with lower depth.